

Technical Information

LDU20

Closed Circuit Axial Piston Transmission



Revision history*Table of revisions*

Date	Changed	Rev
June 2016	Converted to New Danfoss layout	0101
December 2014	Converted to DITA CMS	AD
March 2013	Paint and Tag	AC
March 2011		AB
January 2011	First edition	AA

Contents

General Description

Basic Design.....	4
Key Features.....	4
Typical Applications.....	4
Pictorial circuit diagram.....	5
Schematic diagram.....	5

Technical Specification

Physical properties.....	6
Operation Parameters.....	6
Fluid Specifications.....	7

Operations

Check / High Pressure Relief Valve	8
Bypass Function.....	9
CPRV (Charge Pressure Relief Valve).....	10
Control.....	11
Direct Displacement Control.....	11
Control Handle Requirements.....	11

Operating Parameters

Overview.....	12
Input Speed.....	12
System Pressure.....	12
Input Power.....	12
Charge Pressure.....	12
Case pressure.....	13
Viscosity.....	13
Temperature.....	13

System Design Parameters

Filtration System	14
Filtration.....	15
Charge Filtration.....	15
Suction Filtration.....	15
Independent Braking System.....	16
Fluid Selection.....	16
Reservoir.....	16
Case Drain.....	17
Charge Pump.....	17
Bearing Loads and Life.....	17
Applications with External Shaft Loads.....	17
Input Shaft.....	18
Shaft Torque Rating and Spline Lubrication.....	18
Shaft Availability and Torque Ratings.....	19
Sizing Equations.....	20

Model Code

Model Code: A - H.....	21
Model Code: J - M.....	22
Model Code: N - Z.....	23

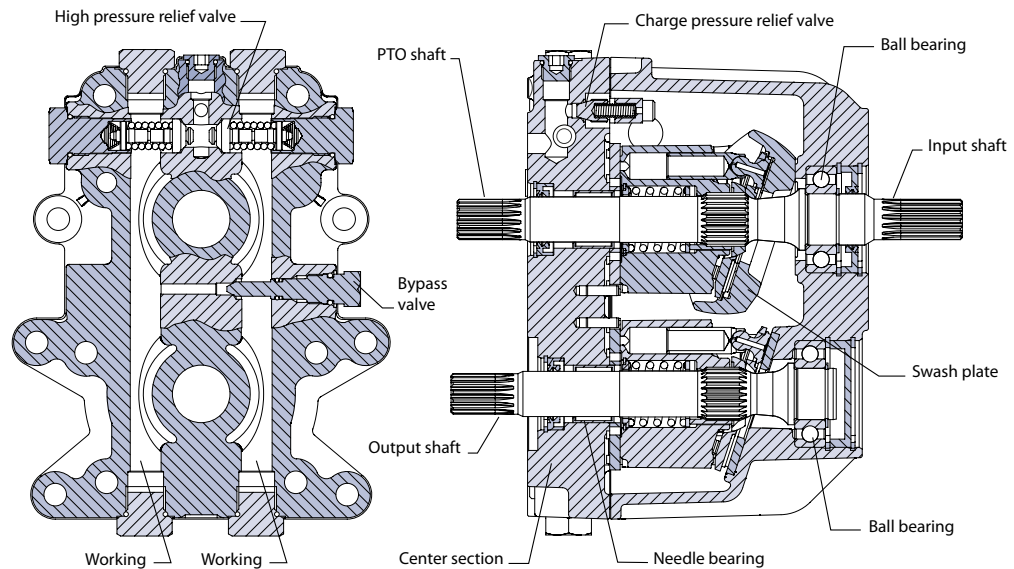
Installation Drawings

Shaft Availability and Torque Ratings: Input Shaft/PTO Shaft.....	24
Shaft Availability and Torque Ratings.....	25
Installation Drawings.....	26
Installation Drawings.....	27
Center section: Option A.....	28
Center section: Option B.....	29
Center section: Option F.....	30
Center section: Option H.....	31

General Description

Basic Design

LDU20 is a kind of U-style HST hardware, including a closed circuit variable displacement piston pump with DDC (Direct displacement control) and a fixed motor. LDU20 is specially designed with optimized performance, size, and cost, in order to fulfill the demand of the mobile applications marketplace. This document provides the detailed specifications and features for LDU20.



P400002

Key Features

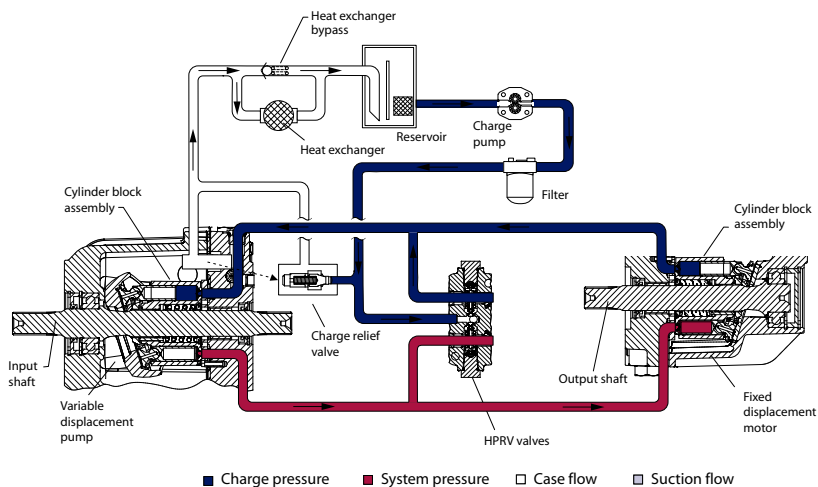
- Easy to use design as Complete Hydrostatic Transmission package for Turf care machines & Compact Utility Tractors up to 22kw[30PS]
- Compact design
- U-style layout in One housing with Z-shaft configuration
- Available external charge
- Bypass valve to allow the vehicle to be towed
- Same shaft center distance as BDU21 85mm...Between pump and motor shaft Same drive line design is available between BDU21 and LDU20
- Best in class Efficiency by Female Piston & Male slipper design...Can reach approximately 80% overall efficiency
- Longer life kit, Higher Duty Cycle capability in the most compact design in this class of HST
- Low trunnion operating force
- Serviced by a Worldwide Network of Danfoss

Typical Applications

- Compact utility tractor
- Turf care
- Small agricultural machinery

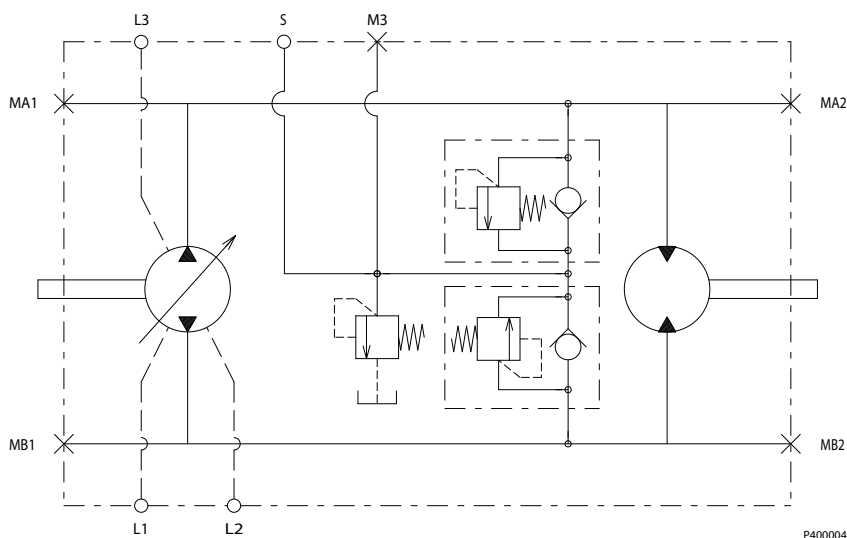
General Description

Pictorial circuit diagram



P400003

Schematic diagram



P400004

Technical Specification

Physical properties

Features		Units	LDU20
Displacement	Pump side ¹	cm ³ /rev [in ³ /rev]	0-20 [0-1.22]
	Motor side		20 [1.22]
Recommended charge pump displacement for external charge supply		cm ³ /rev [in ³ /rev]	6 [0.37]
Torque at maximum displacement (theoretical)		N•m/bar [lbf•in/1000 psi]	0.32 [195.2]
Mass moment of inertia of rotating components	Pump side	kg•m ² [slug•ft ²]	0.000936 [0.00693]
	Motor side		0.000928 [0.00683]
Weight dry		kg [lb]	14.1 [31.1]
Oil volume	Case only	liter [US gal]	1.1 [0.28]
	With passage		1.2 [0.32]
Installation			See Installation Drawings on page 24
Roatation			Clockwise or Counterclockwise
Ports (ISO 11926-1)			See Installation Drawings on page 24
Input shafts and PTO shafts			See Installation Drawings on page 24
Output shaft			See Installation Drawings on page 24
Control type			See Installation Drawings on page 24

¹ Max Swash angle is 18 deg.

Operation Parameters

Features		Units	DDC20
Input speed	Minimum for external charge supply	min ⁻¹ (rpm)	500
	Minimum for full performance		1300
	Rated		3400
	Maximum		3800
System pressure	Maximum working pressure	bar [psi]	300 [4350]
	Maximum pressure		345 [500]
Input power	Maximum	kw [PS]	22 [30]
Charge pressure	Minimum	bar [psi]	5 [73]
Case pressure	Rated	bar [psi]	1 [14.5]
	Maximum		3 [43.5]

Technical Specification

Fluid Specifications

Features		Units	LDU20
Viscosity	Minimum	mm ² /sec. [SUS]	7 [49]
	Recommended range		12-60 [66-280]
	Maximum		1600 [7500]
Temperature	Minimum	Degrees C [Degrees F]	-40 [-40]
	Recommended range		+82 [+180]
	Maximum		+104 [+220]
Filtration (recommended minimum)	Cleanliness per ISO 4406		22/18/13
	Efficiency (charge pressure filtration)	β-ratio	β ₁₅₋₂₀ =75(β ₁₀ ≥10)
	Efficiency (suction and return line filtration)		β ₁₅₋₂₀ =75(β ₁₀ ≥10)
	Recommended inlet screen mesh size	μm	100-125

Operations

Check / High Pressure Relief Valve

LDU20 is equipped with a combination high pressure relief and charge check valve. The high-pressure relief function is a dissipative (with heat generation) pressure control valve for the purpose of limiting excessive system pressures. The charge check function acts to replenish the low-pressure side of the working loop with charge oil. Each side of the transmission loop has a dedicated HPRV valve that is non-adjustable with a factory set pressure. When system pressure exceeds the factory setting of the valve, oil is passed from the high pressure system loop, into the charge gallery, and into the low pressure system loop via the charge check.

The pump order code allows for different pressure settings to be used at each system port. HPRV valve with orifice is available to gain wider neutral dead-band. When HPRV valves with orifice are used, it is only for High pressure ports when vehicle goes in reverse. The system pressure order code for pumps with only HPRV is a reflection of the HPRV setting.

The system pressure order code for pumps configured with pressure limiter and HPRV is a reflection of the pressure limiter setting.

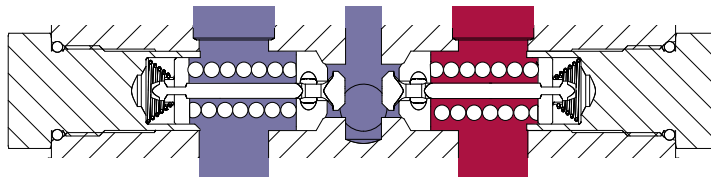
Check/High pressure relief valve with orifice

As an option, LDU20 offers Check / HPRV with an orifice produce a larger neutral deadband.

In some applications, it is desirable to use Check / HPRV with an orifice to expand null dead band, which would help provide a larger margin of safety for vehicle movement in neutral and provide easier adjustment of the vehicle linkage for machine neutral. The orifice connects the working loop, which is a main hydraulic circuit, to a charge circuit. It always allows some internal leakage to ensure the expanding null dead band around neutral position of control shaft. However, it decreases the volumetric efficiency, particularly at high system pressure in the working loop. Check / HPRV with an orifice has possibility to increase downhill creep. It is recommended to install the orifice in a specific working loop, which is pressurized when the vehicle moves in reverse.

The HPRV are set at the following flow rates

Check/HPRV without orifice	5 l/min [1.3 US gal/min]
Check/HPRV with orifice	17 l/min [4.5 US gal/min]



P400005

Caution

HPRV's are factory set at a low flow condition. Any application or operating condition which leads to elevated HPRV flow will cause a pressure rise with flow above a valve setting. Consult factory for application review.

Warning

Unintended vehicle or machine movement hazard.

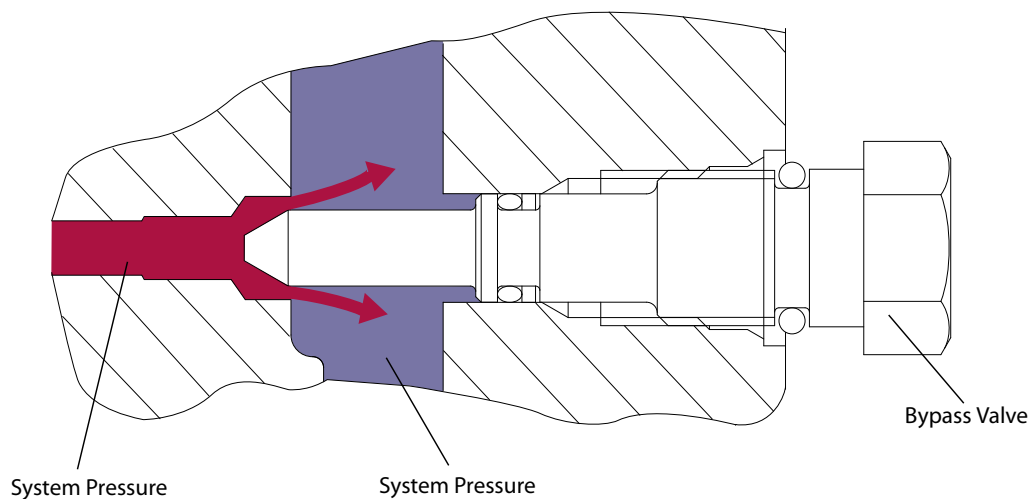
Exceeding maximum speed may cause a loss of hydrostatic drive line power and braking capacity. You must provide a braking system, redundant to the hydrostatic transmission, sufficient to stop and hold the vehicle or machine in the event of hydrostatic drive power loss.

Operations

Bypass Function

The LDU20 contains a dedicated bypass valve option. The bypass function is activated when the bypass valve is mechanically backed out 3 full turns (maximum). The bypass function allows a machine or load to be moved without rotating the pump shaft or prime mover. In some applications, it is desirable to bypass the fluid around the variable displacement pump when pump shaft rotation is unachievable or undesired. To illustrate, an inoperable vehicle may need to be moved to the service or the repair location, or winched onto a trailer without operating the prime mover. Thus, LDU20 is designed with the bypass function as an option.

Bypass Function



P400006

⚠ Caution

Excessive speed or extended movement will damage the transmission.

Avoid excessive speeds and extended load/vehicle movement. Do not move the load or vehicle more than 20 % of maximum speed or for longer than 3 minutes. When the bypass function is no longer needed, reset the bypass valve to the normal operating position.

Operations

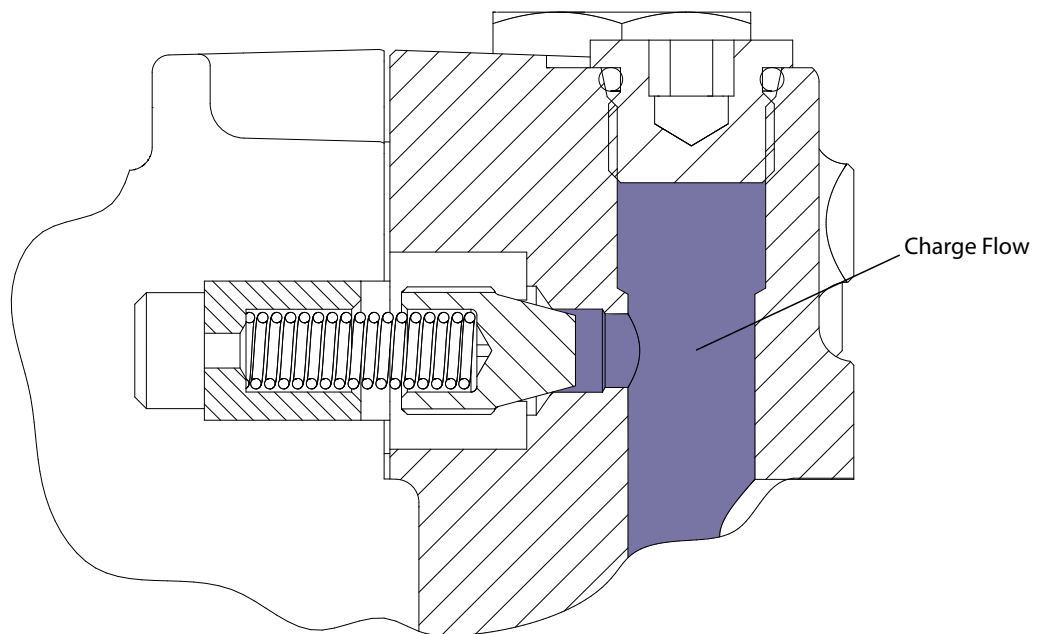
CPRV (Charge Pressure Relief Valve)

The charge pressure relief valve maintains charge pressure at a designated level above case pressure. The charge pressure relief valve is a direct acting poppet valve which opens and discharges fluid to the HST case when pressure exceeds a designated level. For external charge flow the CPRV is set according to below table. The charge pressure relief valve setting is specified on the model code of the pump.

Charge Pressure Relief Valve settings for external charge supply

	Flow l/min [US gal/min]
LDU 20	10.8 [2.9]

Charge Pressure Relief Valve Function



P400007

Operations

Control

Direct Displacement Control

The LDU20 features Direct Displacement Control (DDC). The swashplate angle is set directly by a control lever or linkage attached directly to the swashplate trunnion. Control lever movement changes the speed and rotating direction of the motor by increasing or decreasing the swashplate angle.

The control input shaft is configurable on both of left and right hand side of the LDU20.

Control Handle Requirements

Maximum allowable trunnion torque is 79.1 N·m [700 lbf·in]. The approximate torque necessary to rotate the control at 300 bar system operating pressure and 3000 rpm is 25 N·m with the standard valveplate. Minimum torque necessary to hold the swashplate at a zero angle for neutral is 2.3 N·m [20 in·lbf]. The actual value will vary due to the influence of pump operating conditions. For mating dimensions, see [Installation Drawings](#) on page 24.

Input shaft rotation	CW				CCW			
	Right		Left		Right		Left	
Trunnion Rotation	CW	CCW	CW	CCW	CW	CCW	CW	CCW
Output rotation	CCW	CW	CCW	CW	CCW	CW	CCW	CW
High pressure port	MA	MB	MB	MA	MB	MA	MA	MB
Low pressure port	MB	MA	MA	MB	MA	MB	MB	MA

Warning

With no external forces applied to the swashplate trunnion, internal hydraulic forces may not return the swashplate to the neutral position under all conditions of operation.

Operating Parameters

Overview

This section defines the operating parameters and limitations for LDU20 with regard to input speeds and pressures. For actual parameters, refer to [Operating Parameters](#) in the Technical Specifications section.

Input Speed

Minimum speed is the lowest input speed recommended during engine idle condition. Operating below minimum speed limits pump's ability to maintain adequate flow for lubrication and power transmission.

Rated speed is the highest input speed recommended at full power condition. Operating at or below this speed should yield satisfactory product life.

Maximum speed is the highest operating speed permitted. Exceeding maximum speed reduces product life and can cause loss of hydrostatic power and braking capacity. Never exceed the maximum speed limit under any operating conditions.

Operating conditions between rated speed and maximum speed should be restricted to less than full power and to limited periods of time. For most drive systems, maximum unit speed occurs during downhill braking or negative power conditions.

Warning

Unintended vehicle or machine movement hazard.

Exceeding maximum speed may cause a loss of hydrostatic drive line power and braking capacity. You must provide a braking system, redundant to the hydrostatic transmission, sufficient to stop and hold the vehicle or machine in the event of hydrostatic drive power loss.

System Pressure

System pressure is the differential pressure between system ports A & B. It is the dominant operating variable affecting hydraulic unit life. High system pressure, which results from high load, reduces expected life. Hydraulic unit life depends on speed and normal operating—or weighted average—pressure that you can only determine from a duty cycle analysis.

Maximum Working Pressure is the highest recommended Application pressure. Maximum working pressure is not intended to be a continuous pressure. Propel systems with Application pressures at, or below, this pressure should yield satisfactory unit life given proper component sizing.

Maximum pressure (peak) is the highest intermittent pressure allowed under any circumstances. Applications with applied pressures between rated and maximum require factory approval with complete application, duty cycle, and life expectancy analysis.

All pressure limits are differential pressures referenced to low loop (charge) pressure. Subtract low loop pressure from gauge readings to compute the differential.

Input Power

Maximum continuous input power is the highest recommended input power to HST excluding PTO output power.

Charge Pressure

An internal charge relief valve regulates charge pressure. Charge pressure maintains a minimum pressure in the low side of the transmission loop. Charge pressure is the differential pressure above case pressure.

Minimum charge pressure is the lowest pressure safe working conditions allow in the system.

Maximum charge pressure is the highest charge pressure the charge relief adjustment allows, and which provides normal component life.

Operating Parameters

Case pressure

Under normal operating conditions, the rated case pressure must not be exceeded. During cold start case pressure must be kept below **maximum intermittent case pressure**. Size drain plumbing accordingly.

 **Caution**

Possible component damage or leakage

Operation with case pressure in excess of stated limits may damage seals, gaskets, and/or housings, causing external leakage. Performance may also be affected since charge and system pressure are additive to case pressure.

Viscosity

Maintain fluid viscosity within the recommended range for maximum efficiency and bearing life.

Minimum viscosity should only occur during brief occasions of maximum ambient temperature and severe duty cycle operation. **Maximum viscosity** should only occur at cold start. Limit speeds until the system warms up. Refer to [Fluid Specifications](#) on page 7

Temperature

Maintain fluid temperature within the limits shown in the table. **Minimum temperature** relates to the physical properties of the component materials. Cold oil will not affect the durability of the pump components, however, it may affect the ability of the pump to provide flow and transmit power. **Maximum temperature** is based on material properties. Don't exceed it. Measure maximum temperature at the hottest point in the system. Refer to [Fluid specifications](#) for specifications.

[Ensure fluid temperature and viscosity limits are concurrently satisfied.](#)

System Design Parameters

Filtration System

To prevent premature wear, ensure that only clean fluid enters the hydrostatic transmission circuit. A filter capable of controlling the fluid cleanliness to ISO 4406, class 22/18/13 (SAE J1165) or better, under normal operating conditions, is recommended. These cleanliness levels cannot be applied for hydraulic fluid residing in the component housing/case or any other cavity after transport.

Filtration strategies include suction or pressure filtration. The selection of a filter depends on a number of factors including the contaminant ingress rate, the generation of contaminants in the system, the required fluid cleanliness, and the desired maintenance interval. Filters are selected to meet the above requirements using rating parameters of efficiency and capacity.

Filter efficiency can be measured with a Beta ratio¹ (β_x). For simple suction-filtered closed circuit transmissions and open circuit transmissions with return line filtration, a filter with a β -ratio within the range of $\beta_{35-45} = 75$ ($\beta_{10} \geq 2$) or better has been found to be satisfactory. For some open circuit systems, and closed circuits with cylinders being supplied from the same reservoir, a higher filter efficiency is recommended. This also applies to systems with gears or clutches using a common reservoir. For these systems, a charge pressure or return filtration system with a filter β -ratio in the range of $\beta_{15-20} = 75$ ($\beta_{10} \geq 10$) or better is typically required.

Because each system is unique, only a thorough testing and evaluation program can fully validate the filtration system. Please see *Design Guidelines for Hydraulic Fluid Cleanliness Technical Information, 520L0467* for more information.

Cleanliness level and β_x -ratio		
Filtration (recommended minimum)	Cleanliness per ISO 4406	22/18/13
	Efficiency (charge pressure filtration)	$\beta_{15-20} = 75$ ($\beta_{10} \geq 10$)
	Efficiency (suction and return line filtration)	$\beta_{35-45} = 75$ ($\beta_{10} \geq 2$)
	Recommended inlet screen mesh size	100 – 125 μm

¹ Filter β_x -ratio is a measure of filter efficiency defined by ISO 4572. It is defined as the ratio of the number of particles greater than a given diameter ("x" in microns) upstream of the filter to the number of these particles downstream of the filter.

System Design Parameters

Filtration

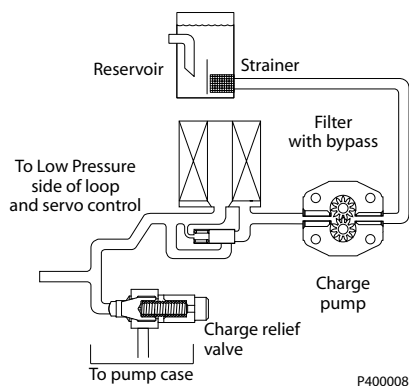
Charge Filtration

The pressure filter is remotely mounted in the circuit after the charge pump, as shown in the accompanying illustration.

Filters used in charge pressure filtration circuits must be rated to at least 34.5 bar [500 psi] pressure. Danfoss recommends locating a 100 - 125 μm screen in the reservoir or in the charge inlet line when using charge pressure filtration.

A filter bypass valve is necessary to prevent damage to the system. In the event of high pressure drop associated with a blocked filter or cold start-up conditions, fluid will bypass the filter. Avoid working with an open bypass for an extended period. We recommend a visual or electrical bypass indicator. Proper filter maintenance is mandatory.

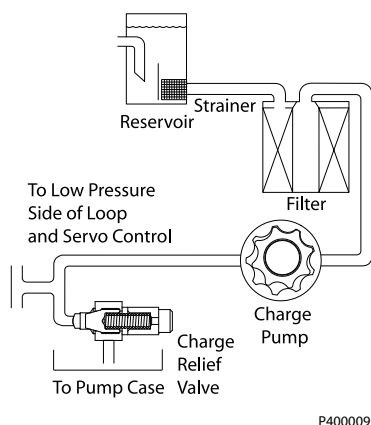
Charge filtration



Suction Filtration

The suction filter is placed in the circuit between the reservoir and the inlet to the charge pump as shown in the accompanying illustration.

Suction filtration



System Design Parameters

Independent Braking System

Warning

Unintended vehicle or machine movement hazard.

The loss of hydrostatic drive line power, in any mode of operation (forward, neutral, or reverse) may cause the system to lose hydrostatic braking capacity. You must provide a braking system, redundant to the hydrostatic transmission, sufficient to stop and hold the vehicle or machine in the event of hydrostatic drive power loss.

Fluid Selection

Ratings and performance data are based on operating with hydraulic fluids containing oxidation, rust and foam inhibitors. These fluids must possess good thermal and hydrolytic stability to prevent wear, erosion, and corrosion of pump components.

Caution

Never mix hydraulic fluids of different types.

Fire resistant fluids are also suitable at modified operating conditions.

Please see *Hydraulic Fluids and Lubricants Technical Information*, **520L0463**, for more information.

Refer to Experience with *Biodegradable Hydraulic Fluids Technical Information*, **520L0465**, for information relating to biodegradable fluids. Contact Danfoss for fluids not mentioned below.

The following hydraulic fluids are suitable:

- Hydraulic Oil ISO 11 158 - HM
(Seal compatibility and vane pump wear resistance per DIN 51 524-2 must be met)
- Hydraulic Oil ISO 11 158 - HV
(Seal compatibility and vane pump wear resistance per DIN 51 524-3 must be met)
- Hydraulic Oil DIN 51 524-2 - HLP
- Hydraulic Oil DIN 51 524-3 - HVLP
- Automatic Transmission Fluid ATF A Suffix A (GM)
- Automatic Transmission Fluid Dexron II (GM), which meets Allison C-3 and Caterpillar TO-2 test
- Automatic Transmission Fluid M2C33F and G (Ford)
- Engine oils API Classification SL, SJ (for gasoline engines) and CI-4, CH-4, CG-4, CF-4 and CF (for diesel engines)
- Super Tractor Oil Universal (STOU) special agricultural tractor fluid

Reservoir

The hydrostatic system reservoir should accommodate maximum volume changes during all system operating modes and promote de-aeration of the fluid as it passes through the tank.

A suggested minimum total reservoir volume is 5/8 of the maximum charge pump flow per minute with a minimum fluid volume equal to 1/2 of the maximum charge pump flow per minute. This allows 30 seconds fluid dwell for removing entrained air at the maximum return flow. This is usually adequate to allow for a closed reservoir (no breather) in most applications.

Locate the reservoir outlet (charge pump inlet) above the bottom of the reservoir to take advantage of gravity separation and prevent large foreign particles from entering the charge inlet line. A 100-125 µm screen over the outlet port is recommended.

Position the reservoir inlet (fluid return) to discharge below the normal fluid level, toward the interior of the tank. A baffle (or baffles) will further promote de-aeration and reduce surging of the fluid.

System Design Parameters

Case Drain

A case drain line must be connected to one of the case outlets to return internal leakage to the system reservoir. Use the higher of the outlets to promote complete filling of the case. Since case drain fluid is typically the hottest fluid in the system, it is a good idea to return this flow to the reservoir via the heat exchanger

Charge Pump

Charge flow requirements for the LDU20 should be equivalent to a 6-8cc/rev charge pump, depending on pump input speed. Charge flow must not exceed 30 l/min.

Bearing Loads and Life

Bearing life is a function of speed, system pressure, charge pressure, and swashplate angle, plus any external side or thrust loads. The influence of swashplate angle includes displacement as well as direction. External loads are found in applications where the pump is driven with a side/thrust load (belt or gear) as well as in installations with misalignment and improper concentricity between the pump and drive coupling. All external side loads will act to reduce the normal bearing life of a pump. Other life factors include oil type and viscosity.

In vehicle **propel** drives with no external shaft loads and where the system pressure and swashplate angle are changing direction and magnitude regularly, the normal L20 bearing life (80 % survival) will exceed the hydraulic load-life of the unit.

Bearing L₂₀ Life

Bearing Life (max. swashplate angle)	At 167 bar system pressure 7 bar charge pressure 1800 rpm	L ₂₀ hours	10158
--	---	-----------------------	-------

Applications with External Shaft Loads

LDU20 is designed with bearings that can accept some external radial and thrust loads. When external loads are present, the allowable radial shaft loads are a function of the load position relative to the Housing surface, the load orientation relative to the internal loads, and the operating pressures of the hydraulic unit. In applications where external shaft loads cannot be avoided, the impact on bearing life can be minimized by proper orientation of the load. Optimum pump orientation is a consideration of the net loading on the shaft from the external load, the pump rotating group.

- In applications where the pump is operated such that nearly equal amounts of forward vs. reverse swashplate operation is experienced; bearing life can be optimized by orientating the external side load at 90° or 270° such that the external side load acts 90° to the rotating group load (for details see drawing below).
- In applications where the pump is operated such that the swashplate is predominantly (> 75 %) on one side of neutral (ie vibratory, conveyor, typical propel); bearing life can be optimized by orientating the external side load generally opposite of the internal rotating group load. The direction of internal loading is a function of rotation and which system port has flow out.
- LDU20 is designed with bearings that can accept some thrust load such that incidental thrust loads are of no consequence. When thrust loads are anticipated the allowable load will depend on many factors and it is recommended that an application review be conducted.

Contact Danfoss for a bearing life review if external side loads are present.

[Thrust loads should be avoided. Contact factory in the event thrust loads are anticipated.](#)

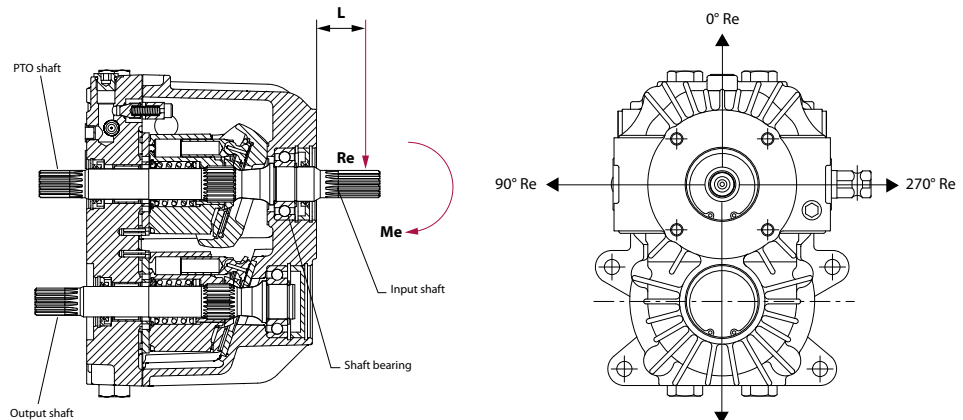
System Design Parameters

Input Shaft

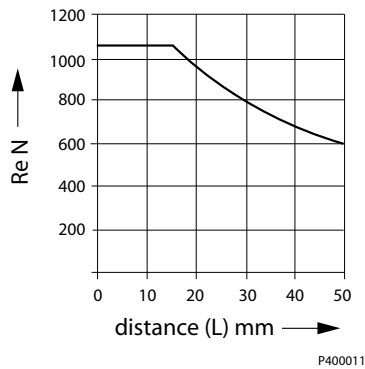
The **maximum allowable radial load (Re)** is based on the maximum external moment (Me) and the distance (L) from the mounting flange to the load. It is shown in the chart below.

Re = Me / L

- Me** Shaft moment
- L** Flange distance
- Re** External force to the shaft



P400010



P400011

Danfoss recommends clamp-type couplings for applications with radial shaft loads

Contact your Danfoss representative for an evaluation of unit bearing life if you have continuously applied external loads exceeding 25 % of the maximum allowable radial load (Re) or the pump swashplate is positioned on one side of center all or most of the time.

PTO shaft, Output shaft

Avoid any load in either direction.

Shaft Torque Rating and Spline Lubrication

Maximum torque ratings are based on torsional fatigue strength considering 100.000 full load reversing cycles. However, a spline running in oil-flooded environment provides superior oxygen restriction in addition to contaminant flushing. The rated torque of a flooded spline can increase to that of the

System Design Parameters

maximum published rating. A flooded spline would be indicative of a pump driven by a pump drive or plugged into an auxiliary pad of a pump.

Maintaining a spline engagement at least equal to the Pitch Diameter will also maximize spline life. Spline engagements of less than $\frac{3}{4}$ Pitch Diameter are subject to high contact stress and spline fretting.

Shaft Availability and Torque Ratings

Alignment between the mating spline's pitch diameters is another critical factor in determining the operating life of a splined drive connection. *Plug-in, or rigid* spline drive installations can impose severe radial loads on the shaft. The radial load is a function of the transmitted torque and shaft eccentricity. Increased spline clearance will not totally alleviate this condition; BUT, increased spline clearance will prevent mechanical interference due to misalignment or radial eccentricity between the pitch diameters of the mating splines. Maximize spline life by adding an intermediate coupling between the bearing supported splined shafts.

System Design Parameters
Sizing Equations

The following equations are helpful when sizing hydraulic transmissions. Generally, the sizing process is initiated by an evaluation of the machine system to determine the required transmission speed and torque to perform the necessary work function. Refer to Selection of drive line components, BLN-9885, for a more complete description of hydrostatic drive line sizing.

	Based on SI units		Based on US units	
Input torque	$M_p = \frac{V_{gp} \cdot \Delta p}{20 \cdot \pi \cdot \eta_{mp}}$	Nm	$M_p = \frac{V_{gp} \cdot \Delta p}{2 \cdot \pi \cdot \eta_{mp}}$	[lbf·in]
Input power	$P_p = \frac{M_p \cdot \eta_p}{9550}$	kW	$P_p = \frac{V_{gp} \cdot \eta_p \cdot \Delta p}{396\,000 \cdot \eta_{tp}}$	[hp]
Output torque	$M_m = \frac{V_{gm} \cdot \Delta p \cdot \eta_{mm}}{20 \cdot \pi}$	Nm	$M_m = \frac{V_{gm} \cdot \Delta p \cdot \eta_{mm}}{2 \cdot \pi}$	[lbf·in]
Output power	$P_m = \frac{M_m \cdot \eta_m}{9550}$	kW	$P_m = \frac{V_{gm} \cdot \eta_m \cdot \eta_{tm}}{396\,000}$	[hp]

Where;

V_{gp}	Pump displacement per rev. cm ³ [in ³]
V_{gm}	Motor displacement per rev. cm ³ [in ³]
Δp	$P_{HD} - P_{ND}$ bar [psi]
η_{mp}	Pump Mechanical-hydraulic (Torque) efficiency
η_{mm}	Motor Mechanical-hydraulic (Torque) efficiency
η_{tp}	Pump Overall efficiency
η_{tm}	Motor Overall efficiency
P_{HD}	High pressure bar [psi]
P_{ND}	Low pressure bar [psi]
n_p	Input speed
n_m	Output speed

Model Code

Model Code: A - H



A - Displacement

Code	Description
20D	Displacement: 20cc/rev / Block type : standard Block

B - Rotation

Code	Description
L	Left hand side viewing from input shaft (CCW)
R	Right hand side viewing from input shaft (CW)

C - Valve Plate

Code	Description
A	Standard

D - Control Arm Position

Code	Description
L	Left hand side viewing from input shaft (pump located upside)
R	Right hand side viewing from input shaft (pump located upside)

E - Control Arm Configuration

Code	Description
S	Square

F - Pump Shaft Configuration (Input Shaft/PTO Shaft)

Code	Description
JJ	JIS 14T (Input) / JIS 14T (PTO)
AA	ANSI 16/32-13T (Input) / ANSI 16/32-13T (PTO)

H - Output Shaft Configuration

Code	Description
J	JIS 14T
A	ANSI 16/32-13T

Model Code

Model Code: J - M



J - Centersection Configuration

Code	Description			
	Drain port: 9.8mm on centersection ^(A) Charge port : 9.8mm on centersection ^(A)		Drain port: 3/4-16 drain port on housing Charge port : 9/16-18 on centersection	
	Without Bypass valve	With Bypass valve on left valve	Without Bypass valve	With Bypass valve on left side
A	X			
B			X	
F		X		
H				X

^(A) Connect charge inlet and drain line directly from LDU20 centersection with trans axle. See [Installation Drawings](#) on page 24 for detail.

K - Charge Pump Displacement

Code	Description
N	None

L - Charge Relief Setting

Code	Description
07	7 bar at 10.8 l/min [102 psi at 2.9 US gal/min]

M - Bypass Valve

Code	Description
N	None
C	w/Bypass Valve Left hand side

Technical Information
LDU20 Closed Circuit Axial Piston Transmission

Model Code

Model Code: N - Z



N - Check & Relief Valve Side A

Code	Description
N	None

The following two tables are used to selection for ports "A" and "B"

P - Check & Relief Valve Side B (Orifice must not be used for both side (A or B))

**N	Check & Relief valve without orifice
14N	140 bar [2030 psi]
17N	175 bar [2538 psi]
21N	210 bar [3045 psi]
25N	250 bar [3625 psi]
28N	280 bar [4060 psi]
30N	300 bar [4351 psi]
32N¹	325 bar [4713 psi]
34N¹	345 bar [5003 psi]
00N	Poppet type check valve

¹ Duty cycle analysis and Factory approval is needed. See Maximum Pressure in [System Pressure](#) on page 12.

**A	Check & Relief valve with orifice (∅0.85)
14A	140 bar [2030 psi]
17A	175 bar [2538 psi]
21A	210 bar [3045 psi]
25A	250 bar [3625 psi]

Y - Special Hardware Features

Code	Description
NNN	Housing Configuration : Standard

Z - Paint and Tag

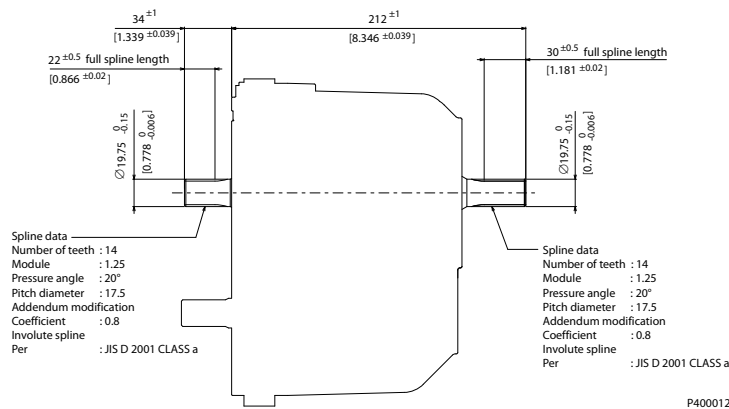
Code	Description
NNN	No Paint (corrosion protection), Danfoss Logo
NAN	No Paint (corrosion protection), Daikin Logo
BNN	Black Paint, Danfoss Logo
BAN	Black Paint, Daikin Logo

Installation Drawings

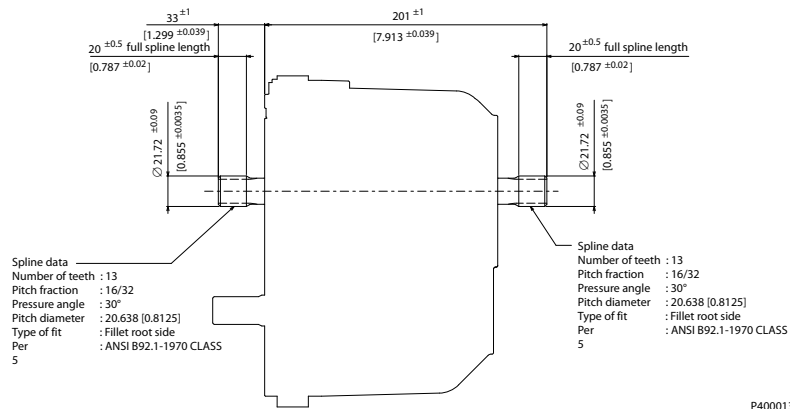
Shaft Availability and Torque Ratings: Input Shaft/PTO Shaft

Input shaft/PTO Shaft

Option	Spline	Torque Rating N·m [lbf·in]	
		Rated Torque	Maximum Torque
JJ	14 teeth, 1.25 module (Input)	122 [1080]	314 [2779]
	14 teeth, 1.25 module (PTO)	89 [788]	310 [2743]



Option	Spline	Torque Rating N·m [lbf·in]	
		Rated Torque	Maximum Torque
AA	13 teeth, 16/32 pitch (Input)	106 [938]	245 [2168]
	13 teeth, 16/32 pitch (PTO)	106 [938]	226 [2000]

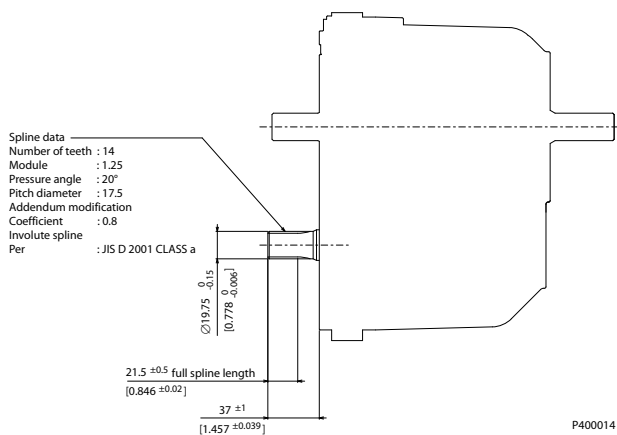


Installation Drawings

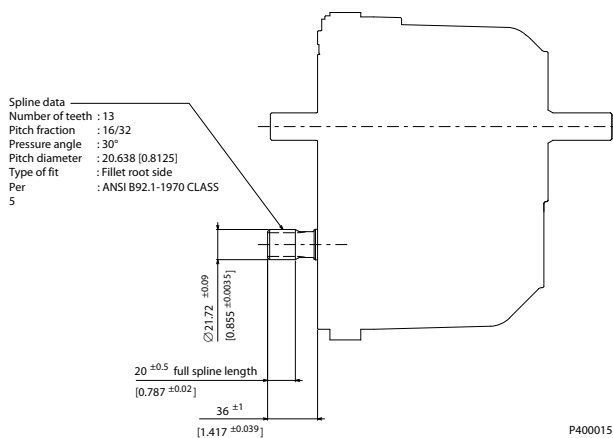
Shaft Availability and Torque Ratings

Output Shaft

Option	Spline	Torque Rating N·m [lbf·in]	
		Rated Torque	Maximum Torque
J	14 teeth, 1.25 module	87 [770]	310 [2743]



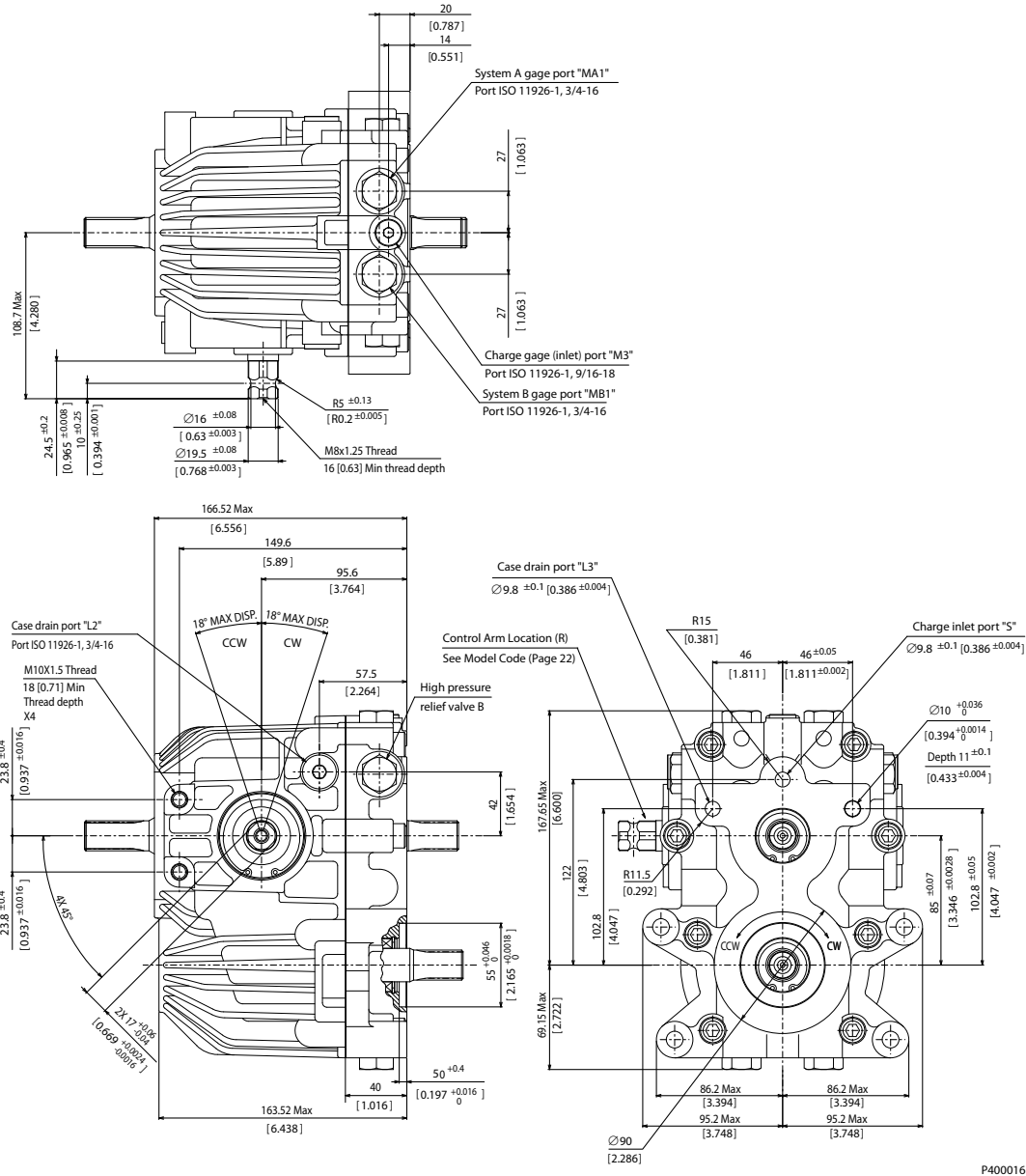
Option	Spline	Torque Rating N·m [lbf·in]	
		Rated Torque	Maximum Torque
A	13 teeth, 20mm pitch	106 [938]	226 [2000]



Technical Information
LDU20 Closed Circuit Axial Piston Transmission

Installation Drawings

Installation Drawings

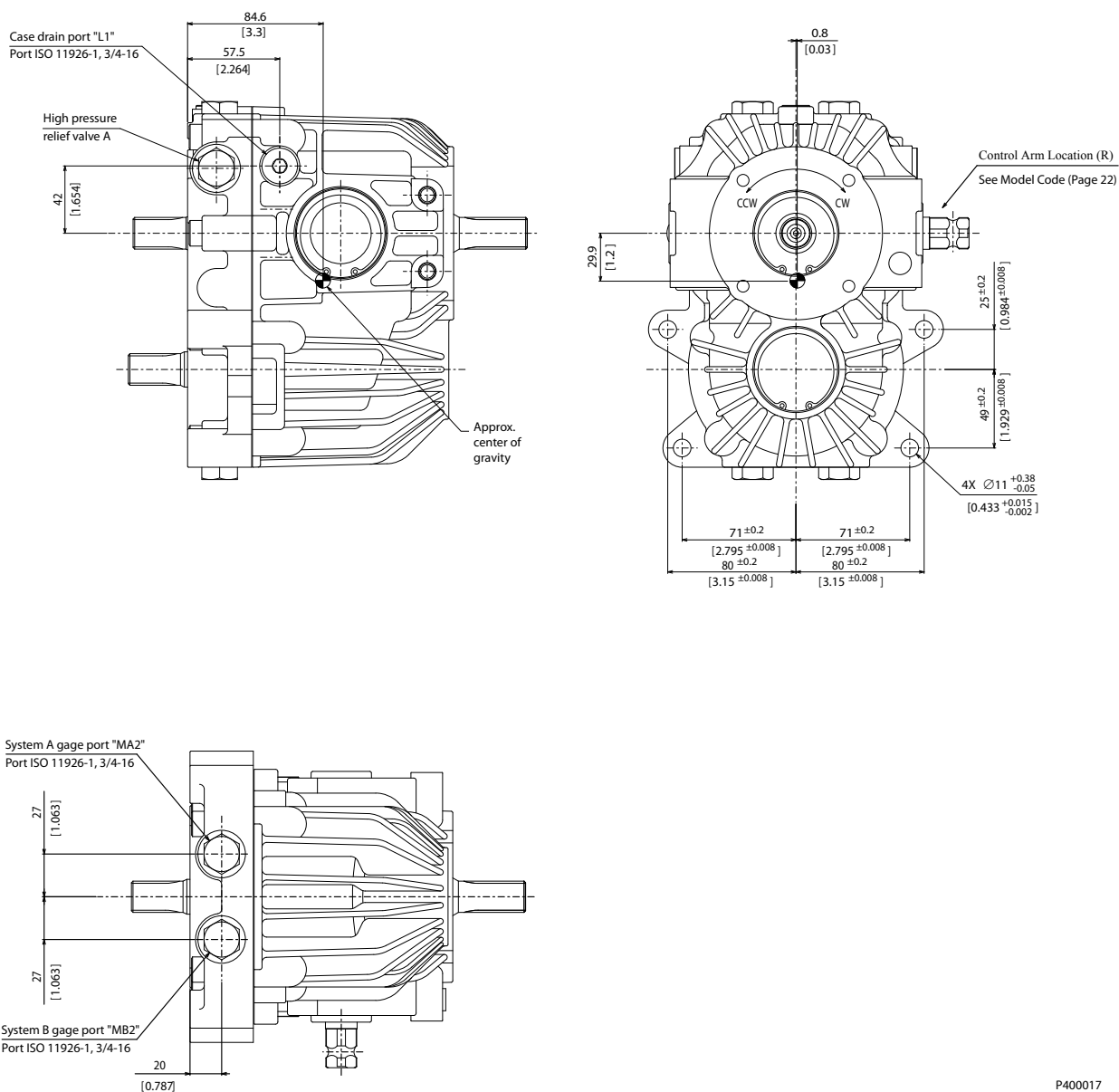


P400016

Input shaft rotation	CW		CCW	
Trunnion location	Right			
Trunnion rotation	CW	CCW	CW	CCW
Output rotation	CCW	CW	CW	CCW
High pressure port	MA	MB	MB	MA
Low pressure por	MB	MA	MA	MB

Installation Drawings

Installation Drawings



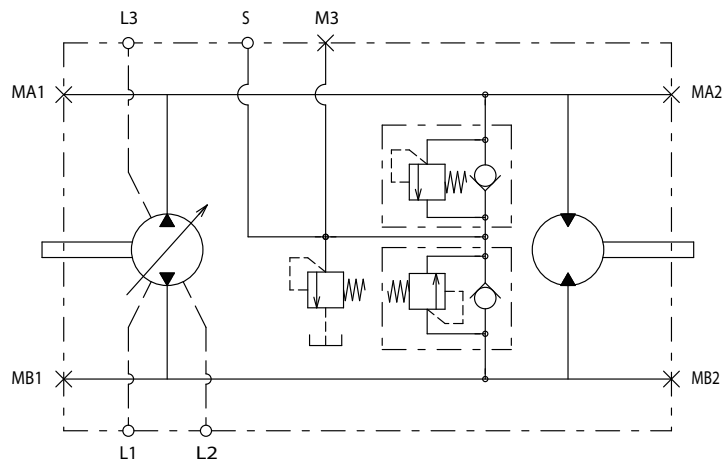
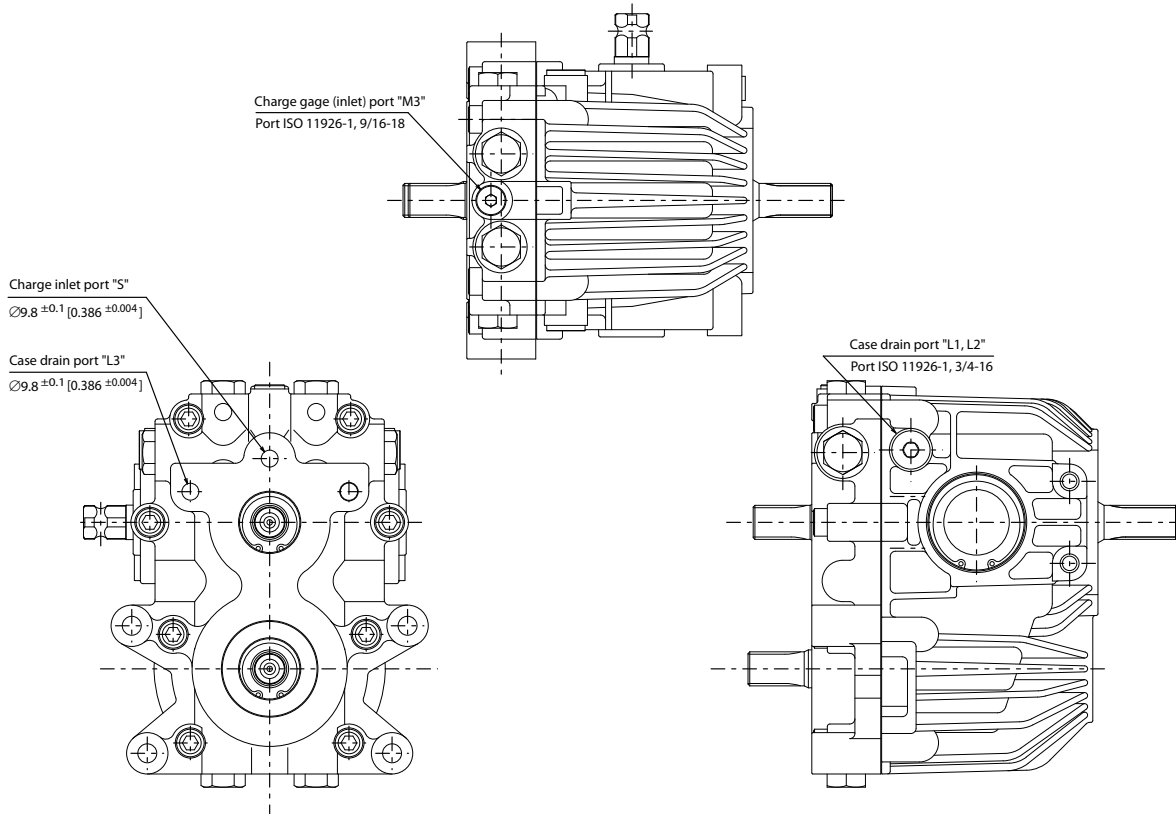
P400017

Installation Drawings

Center section: Option A

Drain port: 9.8mm on centersection

Charge port: 9.8mm on centersection



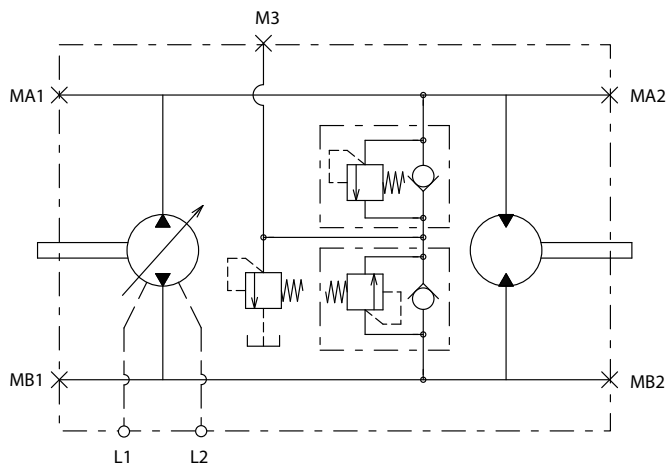
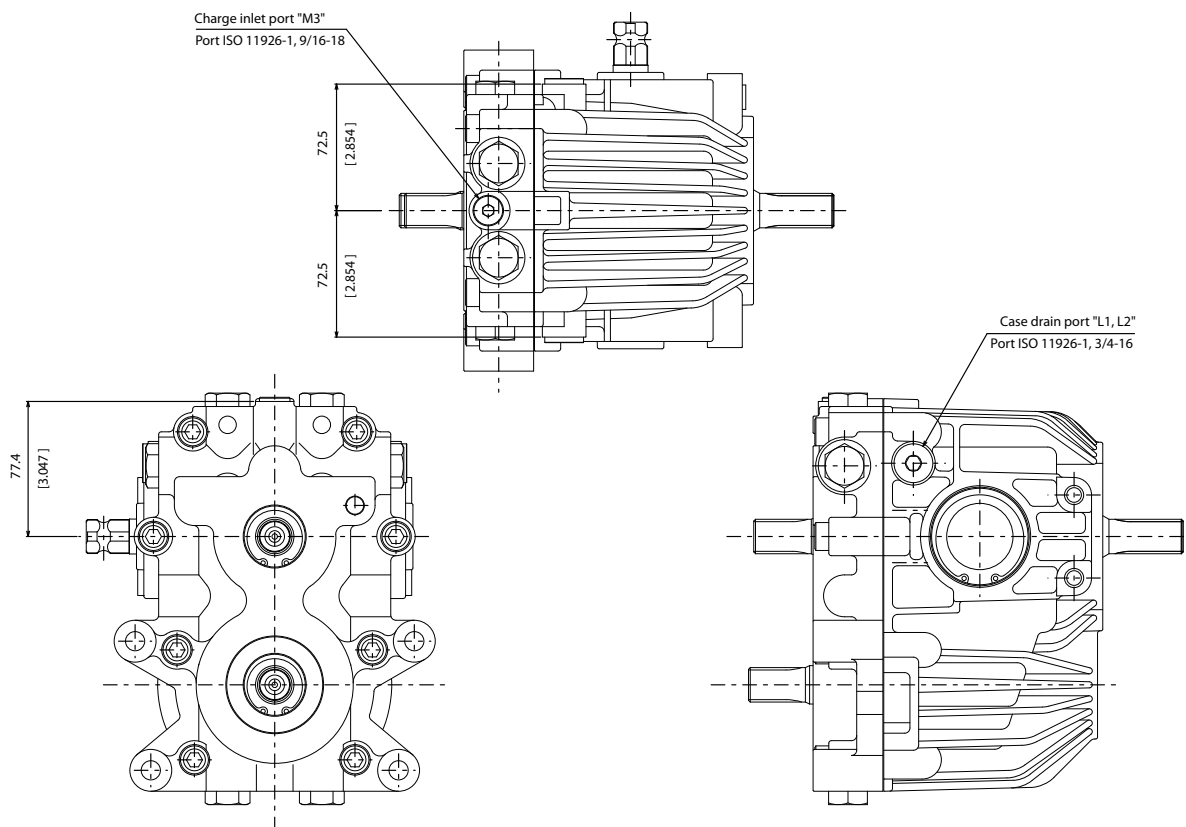
P400018

Installation Drawings

Center section: Option B

Drain port: 3/4-16 on Housing.

Charge port: 9/16-18 on centersection



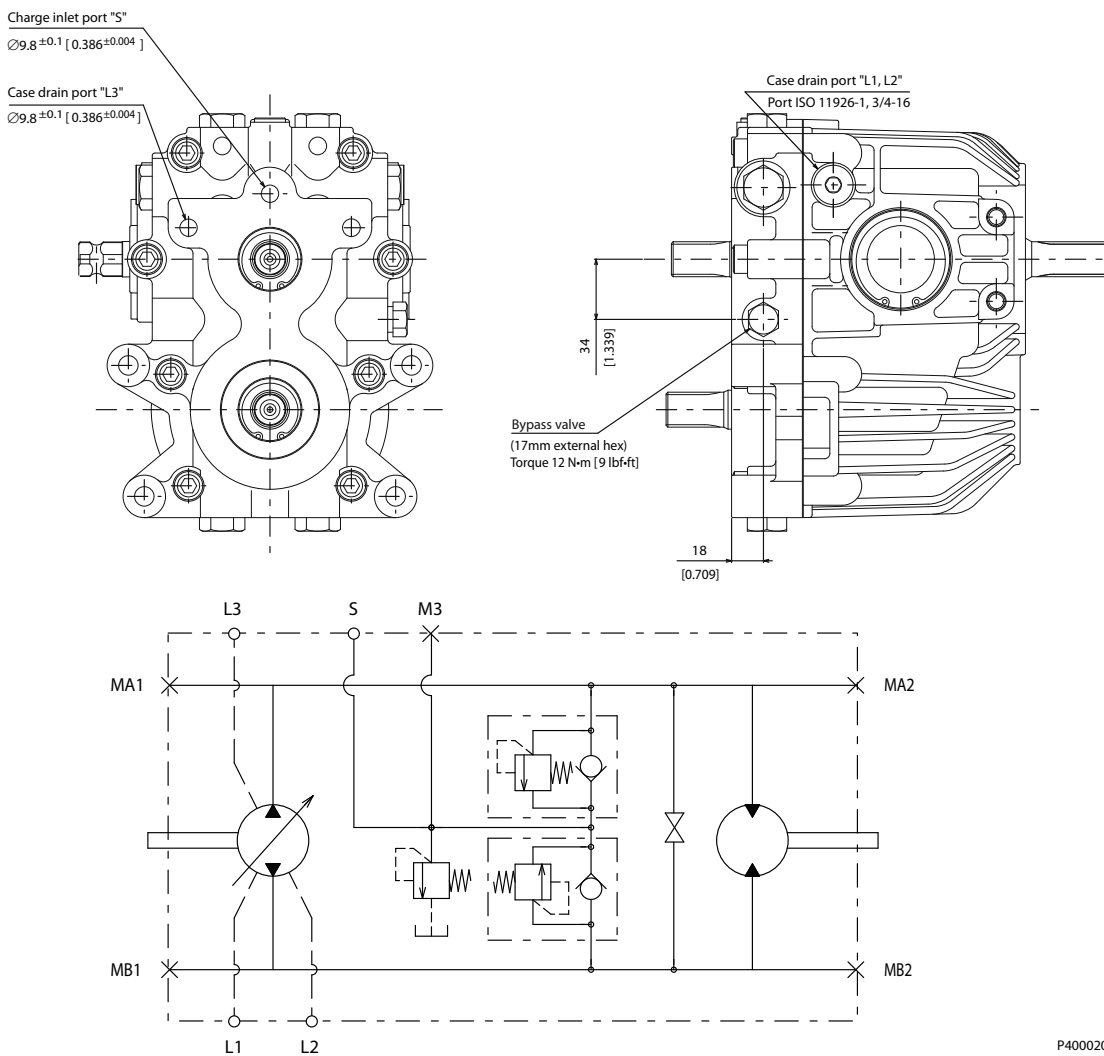
P400019

Installation Drawings

Center section: Option F

Drain port: 9.8mm on centersection

Charge port: 9.8mm on centersection With Bypass valve



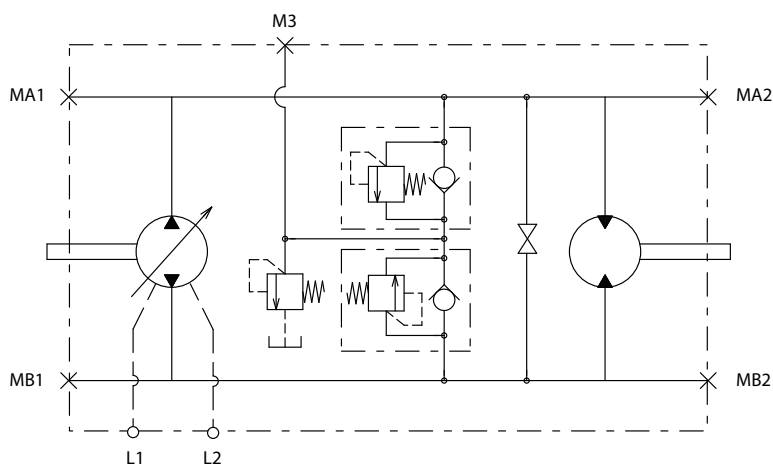
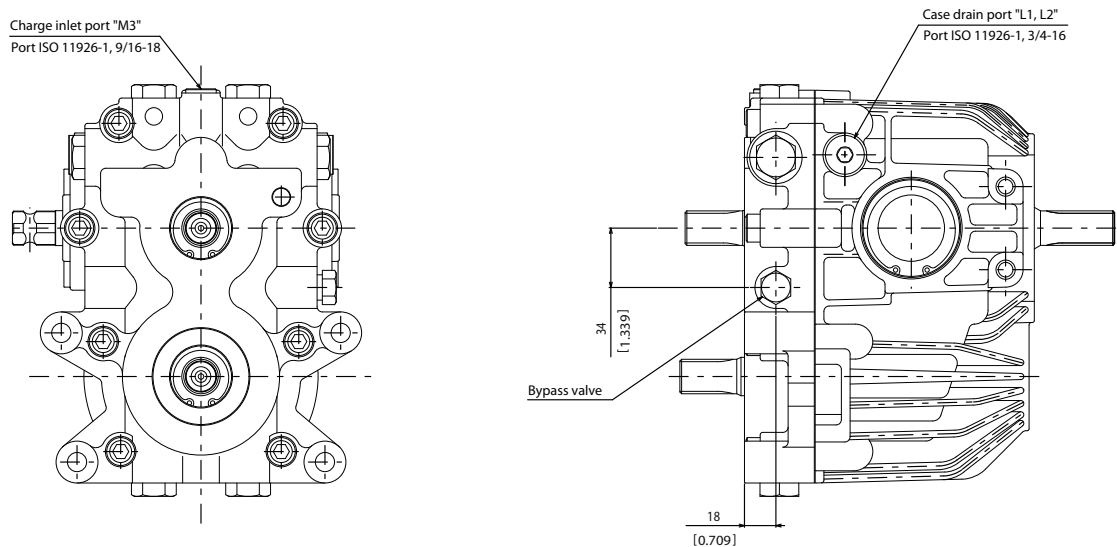
P400020

Installation Drawings

Center section: Option H

Drain port: 3/4-16 on Housing

Charge port: 9/16-18 on centersection With Bypass valve



P400021

Products we offer:

- Bent Axis Motors
- Closed Circuit Axial Piston Pumps and Motors
- Displays
- Electrohydraulic Power Steering
- Electrohydraulics
- Hydraulic Power Steering
- Integrated Systems
- Joysticks and Control Handles
- Microcontrollers and Software
- Open Circuit Axial Piston Pumps
- Orbital Motors
- PLUS+1® GUIDE
- Proportional Valves
- Sensors
- Steering
- Transit Mixer Drives

Danfoss Power Solutions is a global manufacturer and supplier of high-quality hydraulic and electronic components. We specialize in providing state-of-the-art technology and solutions that excel in the harsh operating conditions of the mobile off-highway market. Building on our extensive applications expertise, we work closely with our customers to ensure exceptional performance for a broad range of off-highway vehicles.

We help OEMs around the world speed up system development, reduce costs and bring vehicles to market faster.

Danfoss – Your Strongest Partner in Mobile Hydraulics.

Go to www.powersolutions.danfoss.com for further product information.

Wherever off-highway vehicles are at work, so is Danfoss. We offer expert worldwide support for our customers, ensuring the best possible solutions for outstanding performance. And with an extensive network of Global Service Partners, we also provide comprehensive global service for all of our components.

Please contact the Danfoss Power Solution representative nearest you.

Comatrol

www.comatrol.com

Schwarzmueller-Inverter

www.schwarzmueller-inverter.com

Turolla

www.turollaocg.com

Hydro-Gear

www.hydro-gear.com

Daikin-Sauer-Danfoss

www.daikin-sauer-danfoss.com

Local address:

Danfoss Power Solutions (US) Company
2800 East 13th Street
Ames, IA 50010, USA
Phone: +1 515 239 6000

Danfoss Power Solutions GmbH & Co. OHG
Krokamp 35
D-24539 Neumünster, Germany
Phone: +49 4321 871 0

Danfoss Power Solutions ApS
Nordborgvej 81
DK-6430 Nordborg, Denmark
Phone: +45 7488 2222

Danfoss Power Solutions Trading (Shanghai) Co., Ltd.
Building #22, No. 1000 Jin Hai Rd
Jin Qiao, Pudong New District
Shanghai, China 201206
Phone: +86 21 3418 5200

Danfoss can accept no responsibility for possible errors in catalogues, brochures and other printed material. Danfoss reserves the right to alter its products without notice. This also applies to products already on order provided that such alterations can be made without changes being necessary in specifications already agreed. All trademarks in this material are property of the respective companies. Danfoss and the Danfoss logotype are trademarks of Danfoss A/S. All rights reserved.